

D1 Revision Questions

Answer booklet

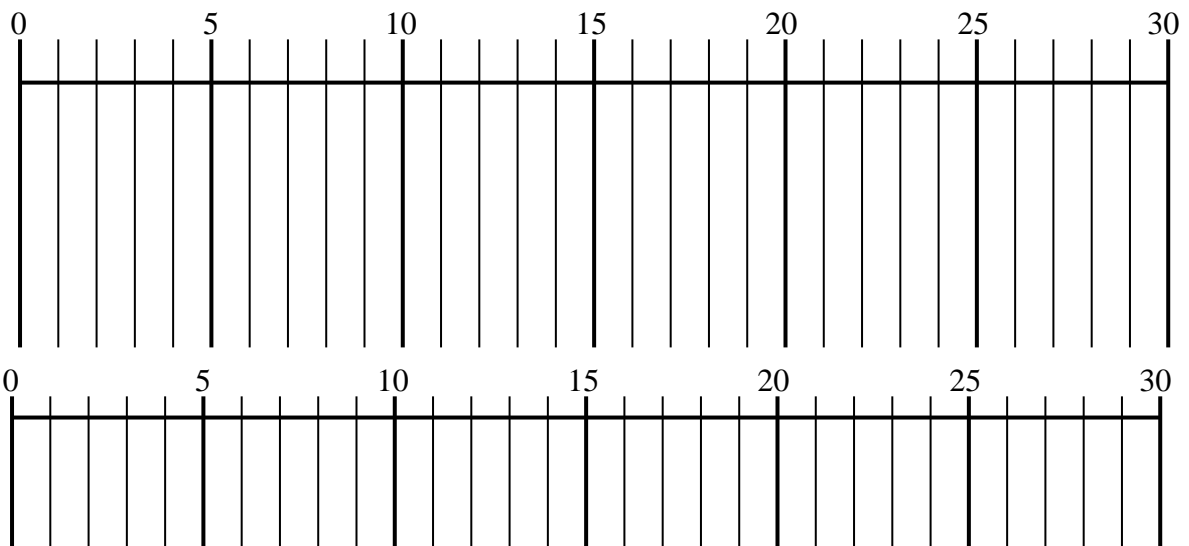
2(c)

1	2	3	4	5	6	7	8	9	10	11	12	13	14	15	16	17	18	19	20	21	22	23	24	25

2(d)

1	2	3	4	5	6	7	8	9	10	11	12	13	14	15	16	17	18	19	20	21	22	23	24	25

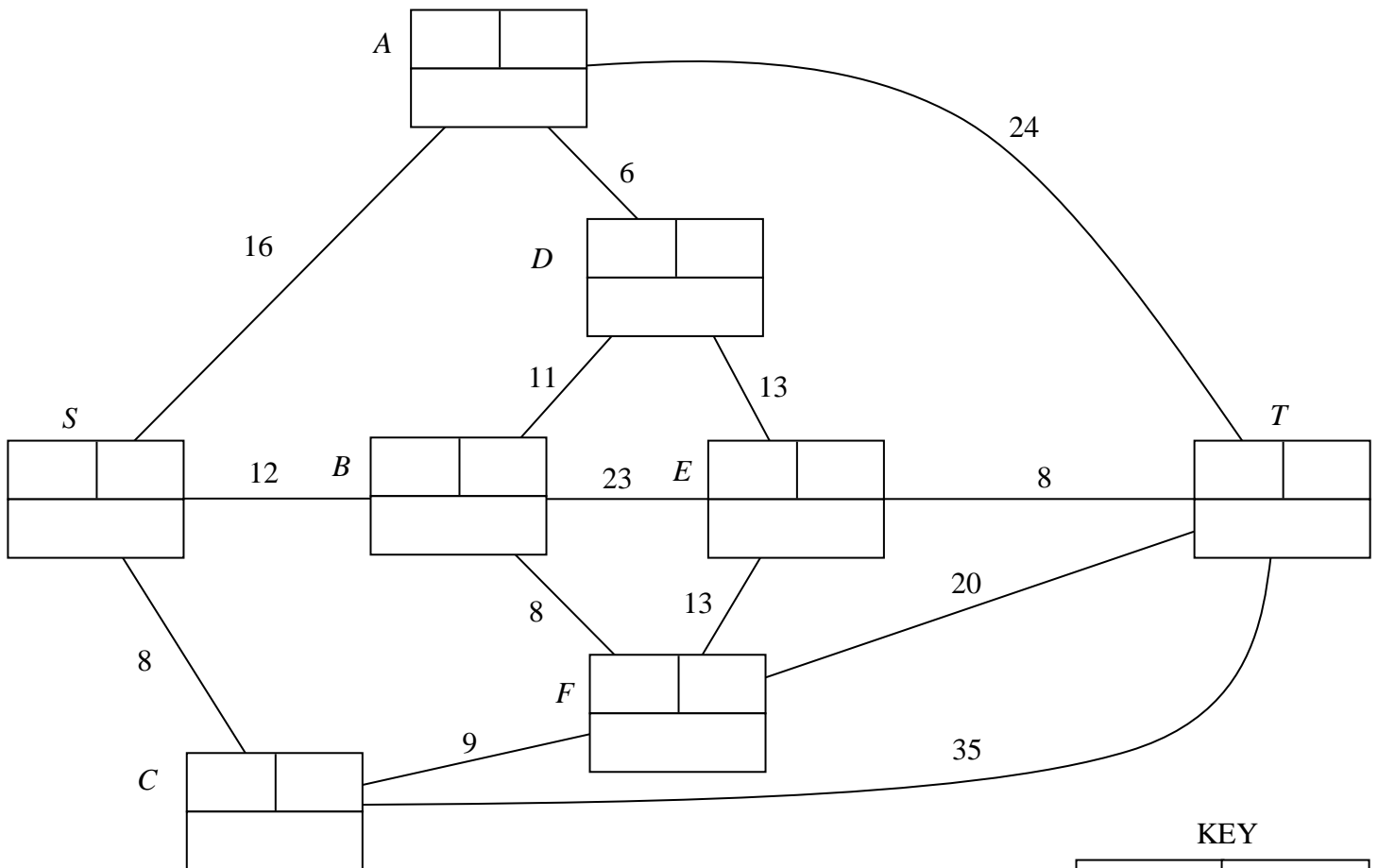
3 (d,e)



5.

	<i>A</i>	<i>B</i>	<i>C</i>	<i>D</i>	<i>E</i>	<i>F</i>
<i>A</i>	–	10	12	13	20	9
<i>B</i>	10	–	7	15	11	7
<i>C</i>	12	7	–	11	18	3
<i>D</i>	13	15	11	–	27	8
<i>E</i>	20	11	18	27	–	18
<i>F</i>	9	7	3	8	18	–

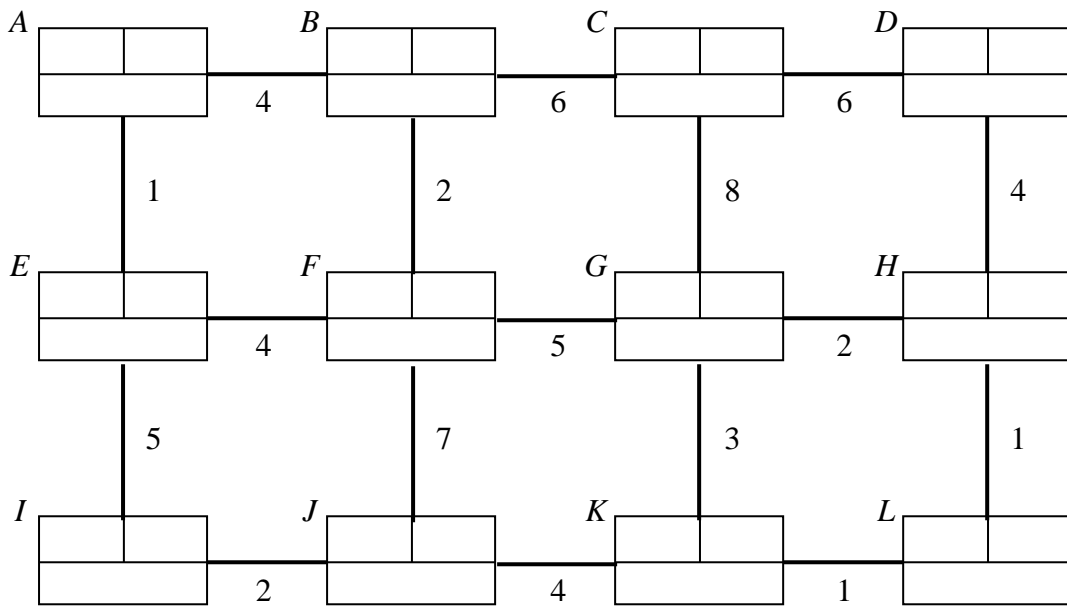
6.



KEY

Order of labelling	Final value
Working values	

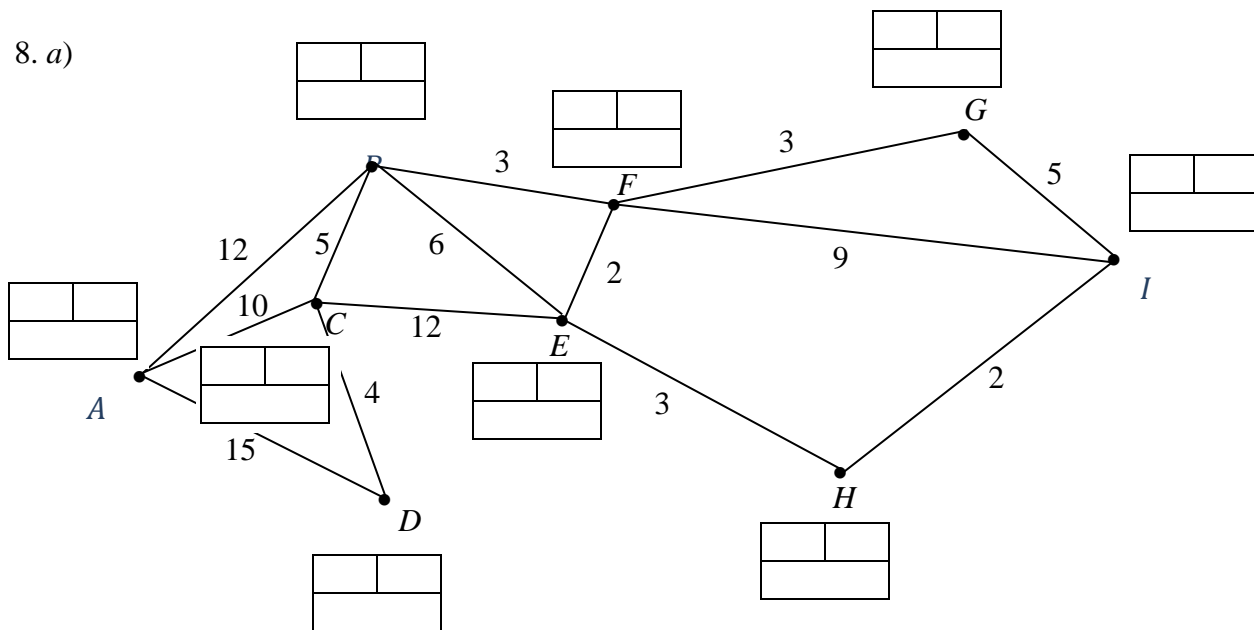
7. (a)



KEY

Order of Labelling	Final Value
Working Values	

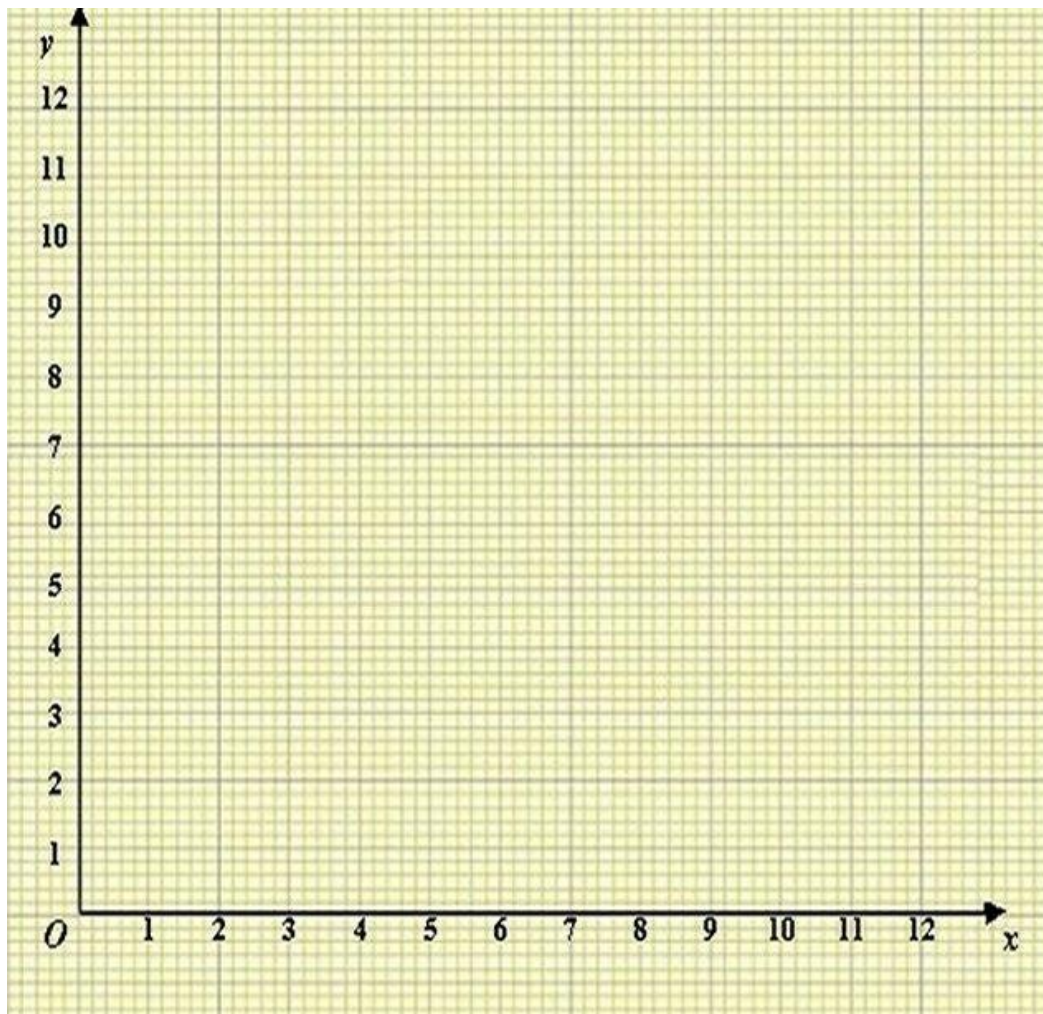
8. a)



14.

a	b	c	d	e	f	$f=0?$

17.



18.

